

HYPER B.S.

1/8 SCALE RACING BUGGY

Date / /

Driver

Factory Setup Sheet **RT2** Track

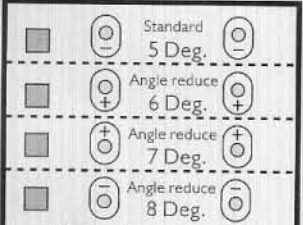
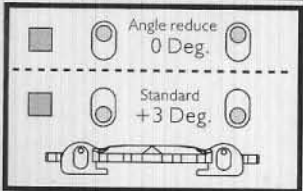
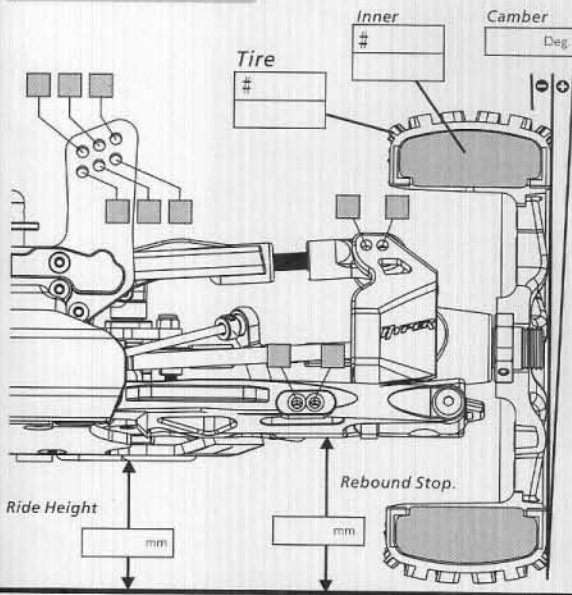
Engine HYPER 21 MACH 21 28 Clutch ball 13T 14T other T Spur Gear 46T other T

Transmitter Receiver Servo ESC Battery

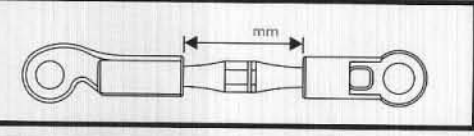
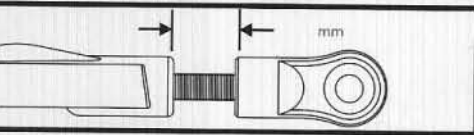
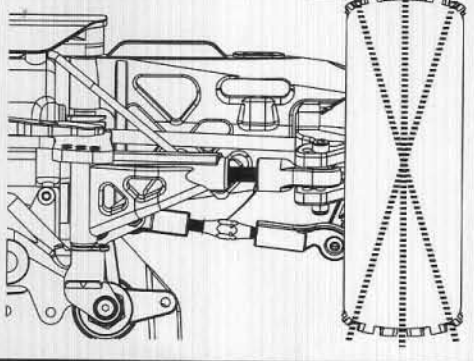
Plug Muffler Fuel Shoes 3 4 Spring mm

Diff Front: LSD Oil Grease Center: LSD Oil Grease Rear: LSD Oil Grease

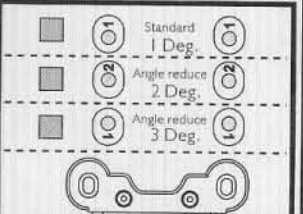
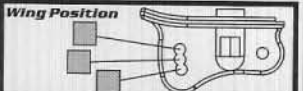
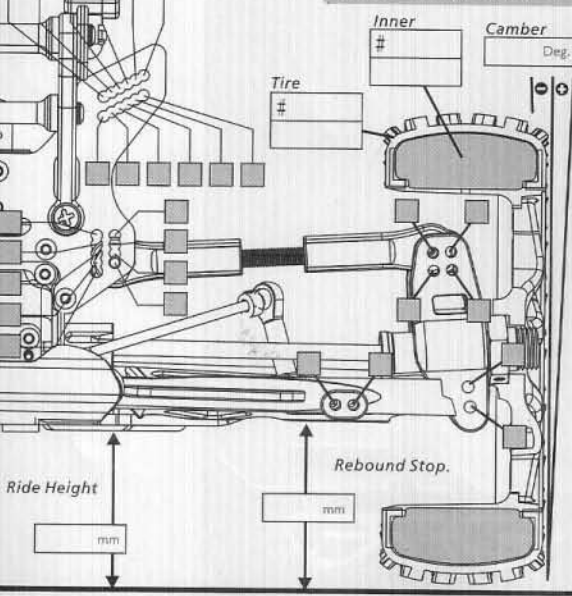
Front Suspension



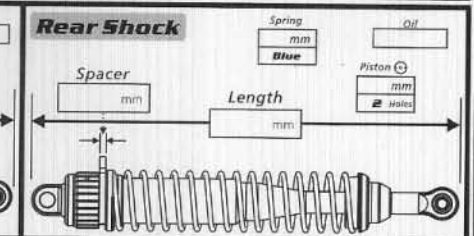
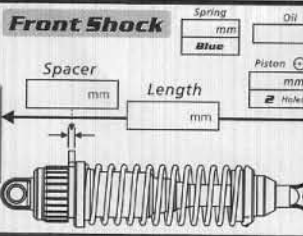
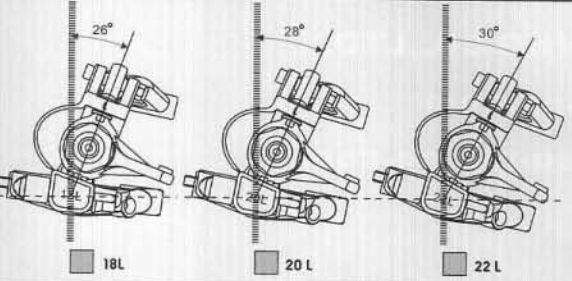
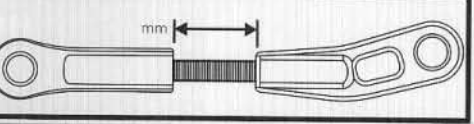
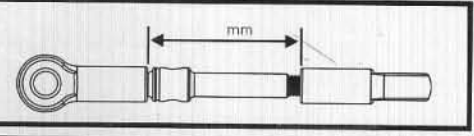
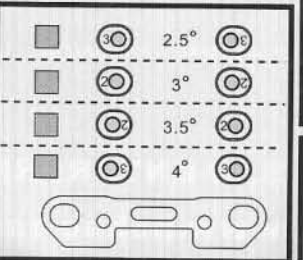
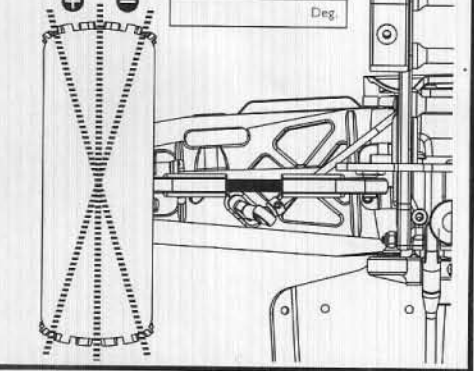
Front Toe angle



Rear Suspension



Rear Toe angle



HOBBO RACING